

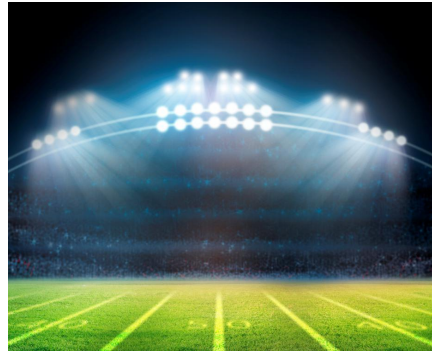
400W~720W

130LM/W



CITIZEN



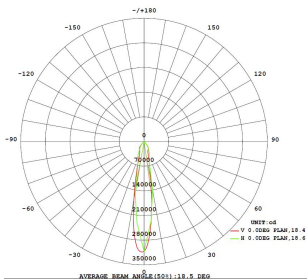


LED COB (CITIZEN)

CITIZEN



Average beam angle(50%):
15° 23° 38° 45° 60° Optional



LED DRIVER



High-end programmable Mean Well or Inventronics Series LED driver, integrate dimming function and 4KV surge protection. Provide excellent performance and lifespan.

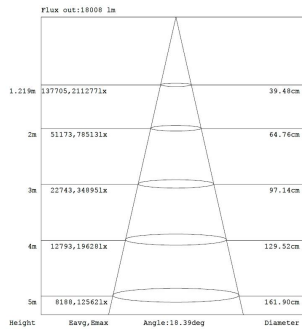


HEAT RADIATOR

Unique thermal design, stable product performance.



CAAI Figure:



Adjustable angle



Efficient COB LEDs

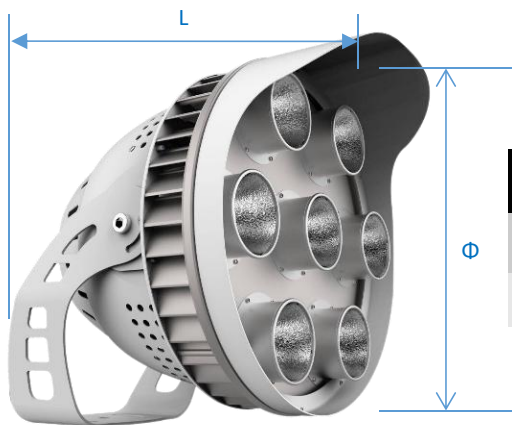


Antidazzle visor



High grade Aluminium housing

Product	LKS-SPL-400W-A	LKS-SPL-480W-A	LKS-SPL-720W-A
Norminal Wattage	400W	480W	720W
LED Qty (PCS)	5	7	9
Input Voltage	AC 240V 50 /60Hz		
LED Brand	COB (CITIZEN)		
Driver Brand	Mean Well		
Max. Current @ 115V	3.3A	4.0A	5.9A
Max. Current@230V	2.1A	2.0A	3.0A
Max. Current@277V	1.7A	1.6A	2.5A
Operating Temperature	-40 °C to +50 °C		
Power Factor(PF)	>0.95		
THD	<20%		
Lumen Output (+/- 5%)	52000lm	62400lm	93600lm
Luminaire efficacy (+/-5%)	130LM/W		
Beam Angle	15° 23° 38° 45° 60° Optional		
Ra	70 or 80		
CCT	3000K (Warm White), 4000K (Nature White), 5000K (Pure White), 5700K (Cool White)		
Rating	IP65		
Dimm	0-10V or Dali dimm		
Shell Color	Silver or grey finish available upon request		
Housing materials	1070 Aluminum		
Lumen Maintenance	> 60,000 hours-L ₇₀ at 25 °C		



LKS-SPL-400W-A	LKS-SPL-480W-A	LKS-SPL-720W-A
Φ330*380mm	Φ460*380mm	Φ460*400mm
13kg	14.2kg	19.7kg

Lighting Technology & Control Pty Ltd

Office. 1300 832 372

Email. admin@lighttc.com.au

Address. Cnr. Norfolk Road & Wentworth Street, Greenacre, NSW, 2190 Australia.

www.lighttc.com.au

